

SPECIFICATION

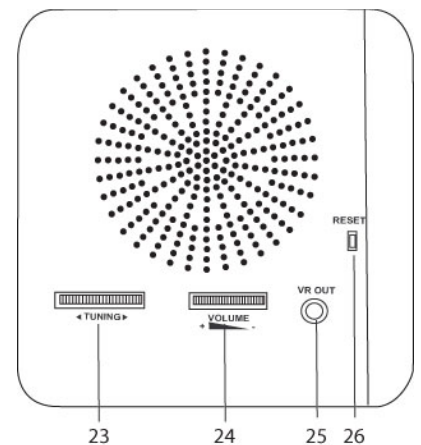
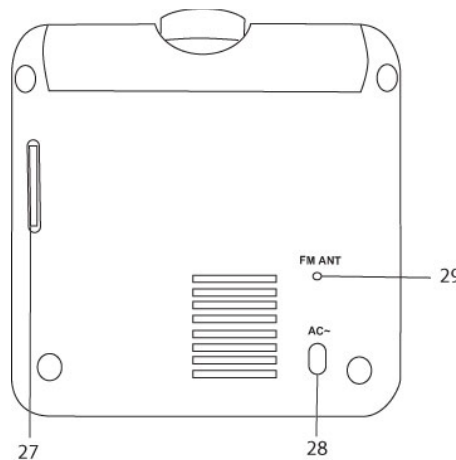
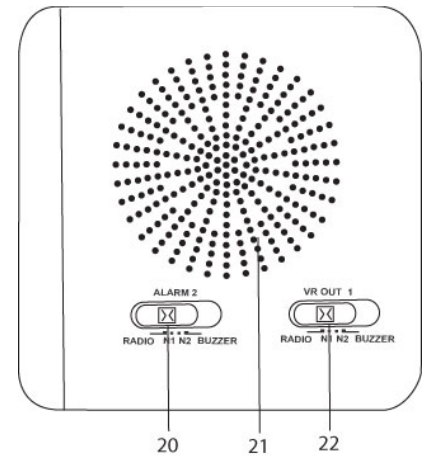
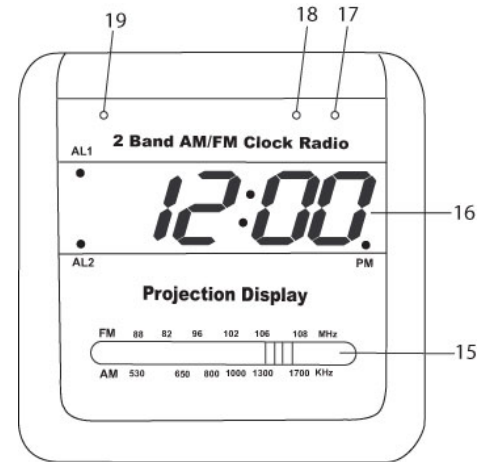
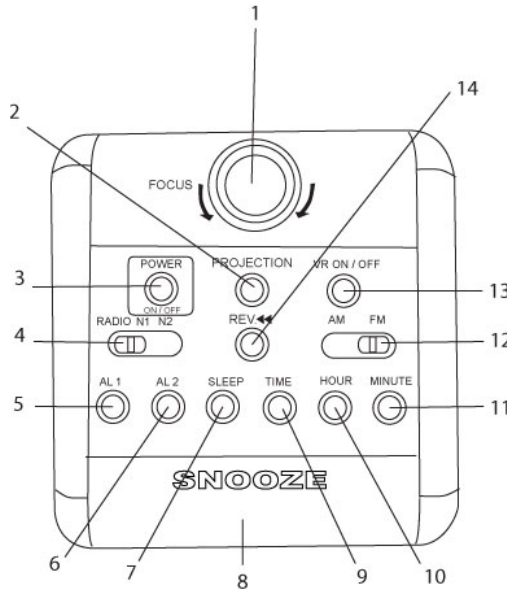
Model Number	Alarm Clock Portable DVR
Compression	MPEG4
Storage Device	External SD Card of Any Size
Image Resolution	Record:320 × 240 MPEG4 , Snapshot: 320 × 240 JPEG
Video Playback	NTSC:30fps/sec , PAL: 25fps/sec. (ASF file format)
Photo Display	JPEG format 640×480
Audio / Video Input	4 pins connector (with DC power for camera)
Audio / Video Output	Composite AV output × 1 (Phone Jack 3.5mm)
Display	2.0" TFT LCD
Video System	NTSC / PAL
Status Indicator	LED × 1 (Power x Recording)
Power Sources PDR100M PDR50M	Internal: Rechargeable Li-Ion Batteries (3.7V, 2000mA) External: 12V DC power adaptor External: 5V DC power adaptor
Power Consumption	Typical 300mA (±5%)
Dimension	120mm (L) x 120mm (W) x 120mm(H)
Operation Temperature	-10°C ~ 55°C
Compression	30 degree / 10 meter (38KHz carrier / 3.3V)

Recording Capacity Estimator

SD Card Size	Video	Photos
1GB	390min (±10%)	23200pics(±10%)
2GB	750min (±10%)	46400pics(±10%)
4GB	1350min (±10%)	95000pics(±10%)

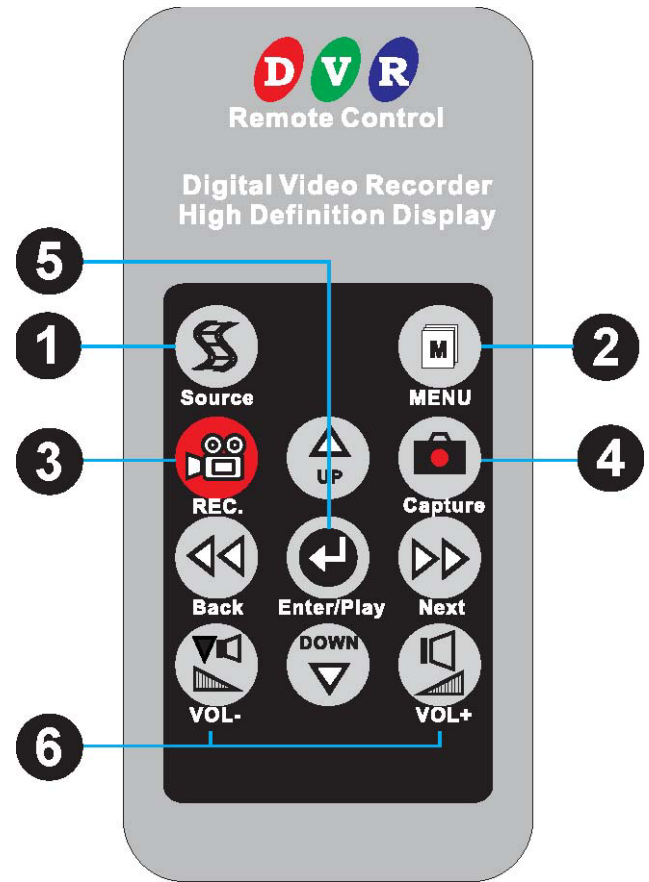
CHAPTER1 - Appearance & Installation

1. Projection Lamp
2. Projection ON/OFF Button
3. Power ON/OFF
4. Radio/N1/N2 Band
5. Alarm 1 Button
6. Alarm 2 Button
7. Sleep Button
8. Snooze Button
9. Time Button
10. Hour Button
11. Minute Button
12. AM/FM Button
13. VR ON/OFF Button:
- DVR ON/OFF
14. REV. Button
- Projection Display mirror button
15. AM/FM scale
16. LCD Display
17. RC IR Sensor
18. Camera
19. DVR Power Led
- When Green (ON)
- When Flashing Orange/Green (REC)
20. Alarm 2 Wake Button
21. Speaker
22. Alarm 1 Wake Button
23. Radio Tuning
24. Volume
25. VR out (A/V Out)
26. Reset Button
27. SD Card Slot
28. AC Cord
29. FM Antenna



1-2 IR Remote Control

- 1- **Source:**
Video Source selection
- 2- **Menu:**
System Menu
- 3- **REC**
Recording Button
- 4- **Capture**
Picture Capture Button
- 5- **Enter Button**
Enter / Play Function



1-3 Camera

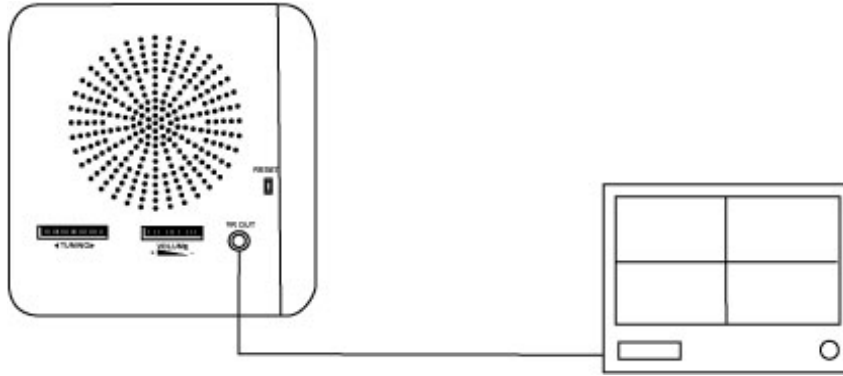
To use the camera simply push the VR ON/OFF.

To record, use your remote control REC Button.

The light will be flashing Green/Orange when recording.
Adjust the height by using screws:

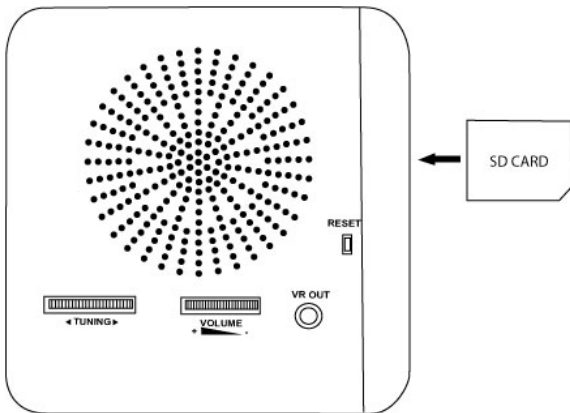


1-4 Monitor / earphone installation



VR OUT : Connect to the external monitor and earphone.

1-6 SD memory card installation



Please make sure the SD card is in the correct direction before plug-in.