

# The "Dealer Stealer"

The Hi-Res Varifocal "Full Size" Dual Voltage Dome that Dealers can't pass up!

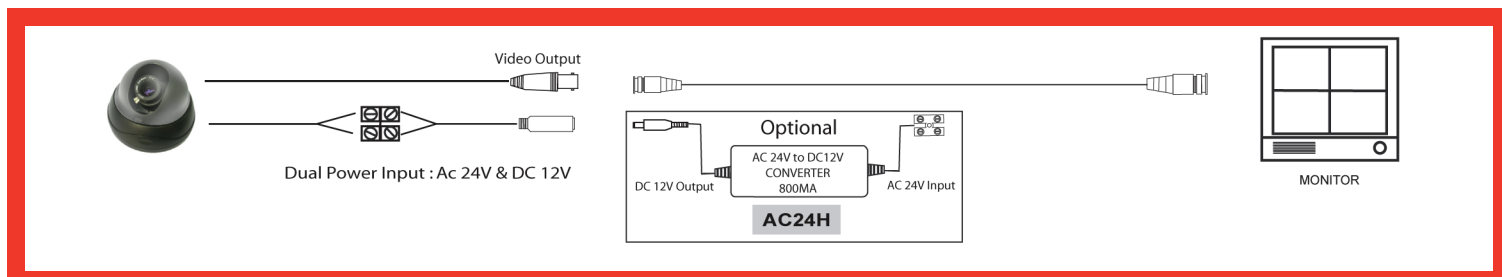


The "Dealer Stealer" Dome from Rugged CCTV is the most incredible value we've ever offered in an Indoor Dome.

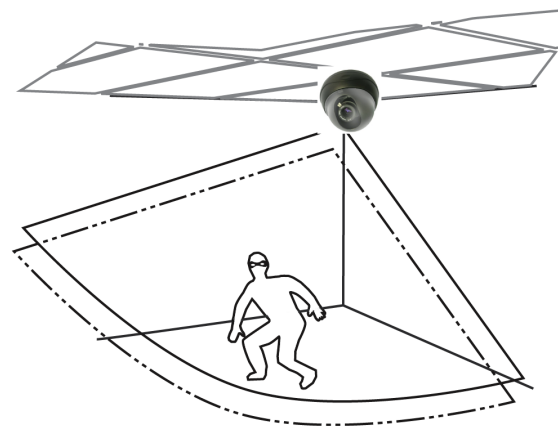
This camera features a 1/3" Sony Super HAD CCD that has 480 Lines of Resolution, Low Light handling of 0.1 Lux, and a 3.5mm to 8mm Varifocal Lens with Auto-Iris and Auto White Balance and Gain Control.

The "Dealer Stealer" is Dual Voltage (12V DC or 24V AC) and uses about 150mA of Power

Black Case



	Model #: RI-DealerStealer
Type	Color Dome Camera
Pick-Up Device	1/3" Sony CCD Image Sensor
Picture Elements H x V	NTSC: 512 x 492 - PAL: 512 x 582
Horizontal Resolution	480 Lines
Vertical Frequency	NTSC: 59.94Hz - PAL: 50Hz
Scanning System	2:1 Interlace
Mini Illumination	0.1 Lux Day & Night
Synchronization	Internal
S/N Ratio	>48dB
Electronic Shutter	Up to 1/100,000 sec
White Balance	Auto White Balance
Lens	3.5-8mm F1.6 Auto Iris
Gamma	0.45
Video Output	1Vp-p, 75 Ohms
Auto Gain Control	Auto
Power Supply	Dual Power: AC 24V & DC 12V (+/- 10%)
Power Consumption	150mA (+/- 10%)
Color	Black
Weight	1.5lb - 680g
Storage Temperature	-22°F to 140°F
Operating Temperature	14°F to 122°F



5327 Cedar Creek Drive  
 Kemp, Texas 75143  
 Toll Free: 866-301-CCTV  
 Phone: 903-498-3240  
 Fax: 903-498-8989  
[www.rugged-cctv.com](http://www.rugged-cctv.com)