

BAYPROOF

High Resolution

with 2.8-11mm Zoom Lens



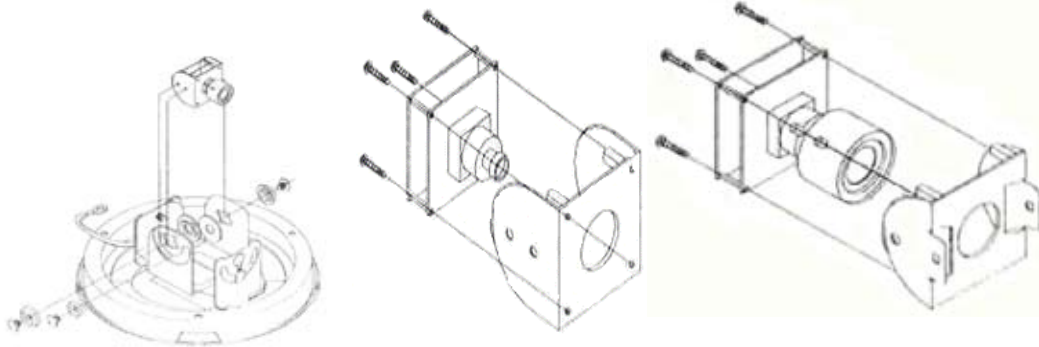
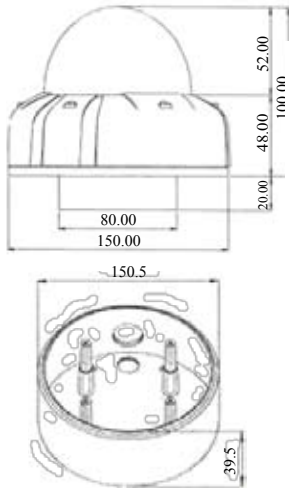
Vandalproof - Weatherproof - Waterproof

For Car Wash
Environments

| Model | BPHR |
|-----------------------|---|
| Image Device | HIGH RES. SONY 1/3' SUPER HAD CCD |
| Total Pixels | NTSC / 811(H) x 508(V), PAL / 795(H) x 596(V) |
| Effective Pixels | NTSC / 768(H) x 494(V), PAL / 752(H) x 582(V) |
| Horizontal Resolution | 550TV lines |
| Low Lux Sensitivity | 0.5Lux |
| S/N Ratio | More than 45dB(AGC off) |
| Gamma Correction | $\gamma=0.45$ |
| Electronic Shutter | NTSC/1/60 ~1/100,000sec Auto |
| Weatherproof | IP66 |
| Operating Temperature | -10°C ~ +45°C |
| Storage Temperature | -30°C ~ +60°C |
| Gain Control | Automatic (0-26dB) |
| White Balance | Automatic (2,100°K ~ 8,000°K) |
| Mount | Ceiling Mount Kit Included |
| Power Options | DC12V (optional 24V AC) |
| Lens Options | 2.8-11mm varifocal auto-iris, (fixed lens option) |



Wall Mount
Option



CARWASHCAMERAS

201 North Elm Street
Kemp, Texas 75143
Toll Free: 1-866-301-CCTV
Phone: 903-498-3240
Fax: 903-498-8989

Website: www.carwashcameras.com
E-mail: techsupport@carwashcameras.com